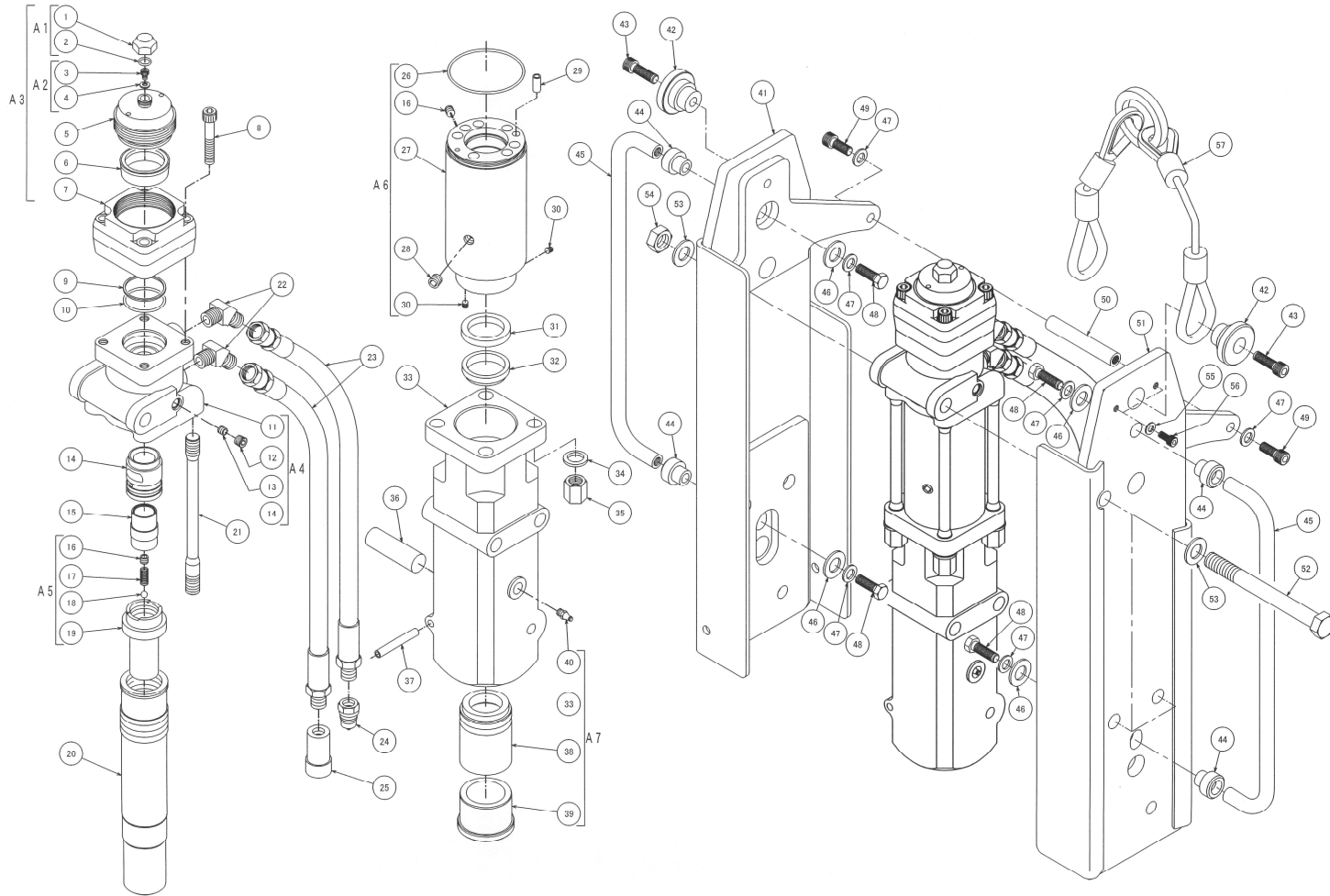


# EXPLODED VIEW MODEL KH800



**PARTS LIST (I) MODEL KH800 \* only can be supplied as assembly parts**

No.	Code	Descriptions	Q'ty	No.	Code	Descriptions	Q'ty
*1	MIKTE108A	Cap Nut	1	26	OG-95	O-Ring	1
2	OS-22.4	O-Ring	1	*27	MB13Z004A	Cylinder	1
3	1120-413-D	Cap Nut	1	28	BPH1-PT3/8	Taper Plug	3
4	WS-06<<<<<<<<<<BH	Seal Washer	1	29	PR-10*25	Spring Pin	1
5	MB13Z009A	Lid	1	30	MB850-040	Expander	2
6	1110-421	Diaphragm	1	31	IUIS-50-60-6	U-Cap Packing	1
7	1110-31-01	Shell	1	32	DS-5058565	Dust Seal	1
8	BH-12*70	Bolt, Hex Socket	4	*33	MB13X002A	Front End	1
9	OBG-50	Back Up Ring	1	34	WF-18-2L(JIS B 1252)	Washer	4
10	OG-50	O-Ring	1	35	MIKTE115A	Nut	4
*11	MB13X001A	Valve Body	1	36	MB13Z013A	Retainer Pin	1
12	BPH1-PT1/8	Taper Plug	2	37	PR-8*50	Spring Pin	1
13	MB06E007A, MB13Z018A	Orifice Plug (Φ 3.6, Φ 4.0)	1	*38	MB13Z011A	Bush (A)	1
*14	MB13Z006A	Valve Bush	1	*39	MB13Z012A	Bush (C)	1
15	MB13Z008A	Control Valve	1	40	A-PT1/8H	Grease Nipple	1
16	BPH1-PT1/8	Taper Plug	3	41	M8FTX047A	Bracket A	1
17	M1HTE107A		1	42	M8FTZ044A	Boss A	2
18	QB-5/16	Steel Ball	1	43	BH-12*40	Bolt, Hex Socket	2
*19	MB13Z007A	Inner Tube	1	44	M8FTZ045A	Boss B	4
20	MB13Y005A	Piston	1	45	M8FTZ043A	Handle	2
21	MB13Z010A	Stud Bolt	4	46	M8FTZ017A	Spring Washer	4
22	AJ-1036-08	Adapter	2	47	WF-12H (JIS B2760)	Washer	6
23	21122 · 6-110SX	Hose	2	48	B-12X40(10.9T)	Bolt	4
24	QC-03M	Coupler (Male)	3	49	BH-12*30	Bolt, Hex Socket	2
25	QC-03F	Coupler (Female)	1	50	M8FTZ014A	Guide	1

No.	Code	Description	Q'ty	No.	Code	Descriptions	Q'ty
51	M8FTX046A	Bracket B	1	64	B-5*40	Bolt	2
52	B-20*200(10.9t)	Bolt	3	65	WS-6	Spring Washer	2
53	Wf-20(1-L)	Spring Washer	6	66	HV-03-No2	Selector Valve Assy	2
54	N1-20	Nut	3	67	M8FTZ005A	Rod	1
55	WP-8	Spring Washer	4	68	M8FTY031A	Driving Tool	1
56	BH-8*18	Bolt	4		M8FTZ033A	Spring Washer A	1
57	M8FTZ028A	Wire	1		M8FTZ035A	Hook Wire	1
58	21091 · 1-50--	Hose	2		M8FTZ034A	Spring Washer B	1
59	C-30B	Line Grip	1		B-12*25	Bolt	1
60	N-2072-06	Adaptor	1		T6007	Push Rod Jig for Retainer Pin	1
61	M8FTZ028A	Base	1				
62	HB-5	Cap Nut	2				
63	N-2093-06	Adaptor	2				

### Assembly Parts

No	Code	Descriptions	Q'ty	Content
A1	MB24Z508A	Cap Nut Ass'y	1	1,2
A2	MB24Z509A	Cap Bolt Ass'y	1	3,4
A3	MB13Z501A	Accumulator Assy	1	1,2,3,4,5,6
A4	MB13Z505A	Valve Body Assy	1	11,12(2),13,14
A5	MB13Z503A	Inner Tube Assy	1	16,17,18,19
A6	MB13Z502A	Cylinder Assy	1	16(2),26,27,28(3),30(2)
A7	MB13Z504A	Front End Assy	1	33,38,39,40
A8	MB13Z039A	Seal Kit Assy	1	2,4,9,10,26,31,32